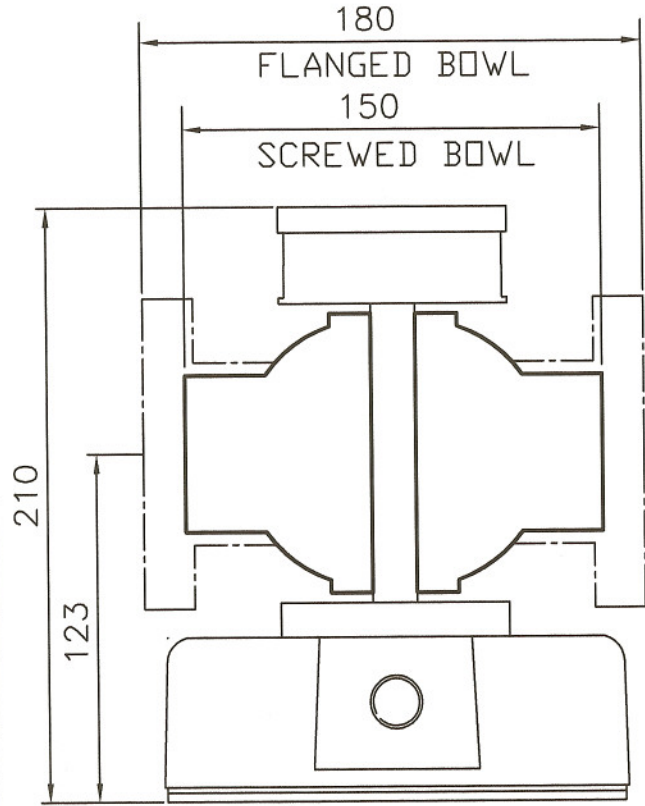


ALL DIMENSIONS IN MM  
UNLESS STATED OTHERWISE

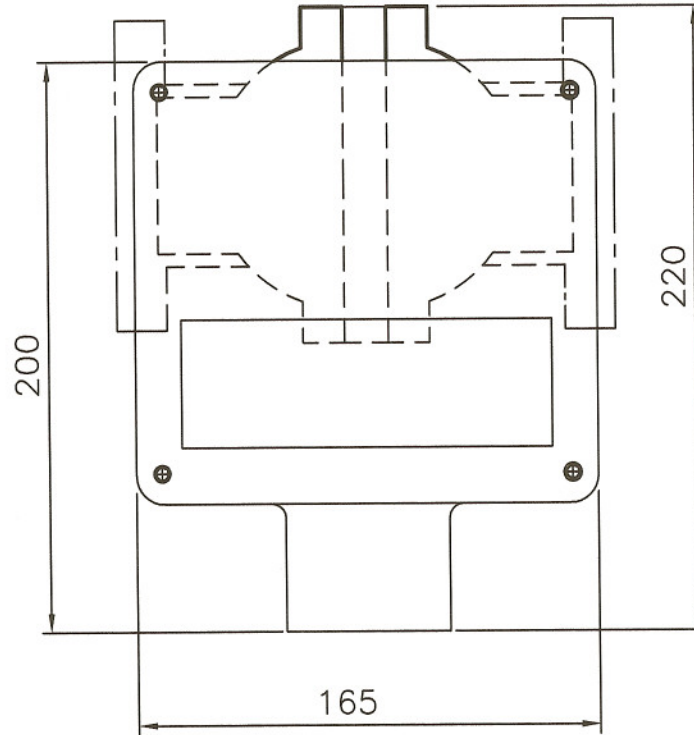
DO NOT SCALE DRAWING  
IF IN DOUBT ASK

KEY

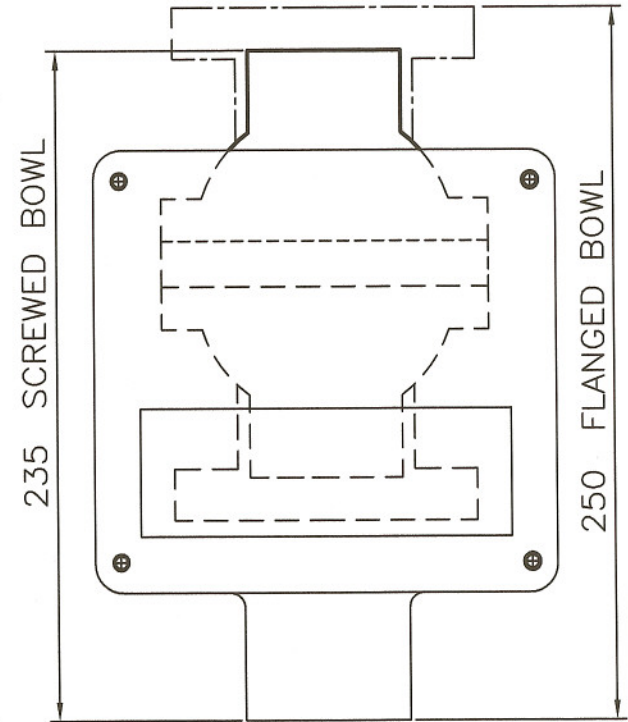
----- FLANGED BOWL  
————— SCREWED BOWL



VIEW ON UNDERSIDE



HORIZONTAL FRONT VIEW



VERTICAL FRONT VIEW

TITLE

MEDIUM BOWL 3/4" - 1 1/4" ASSEMBLY  
EXPLOSION PROOF ENCLOSURE BOX

THIS DRAWING, THE STRUCTURAL DESIGN DISCLOSED THEREIN, AND THE TECHNICAL SERVICE REPRESENTED THEREBY ARE THE EXCLUSIVE PROPERTY OF FLOW-MON LTD. IT IS TO BE RETURNED TO FLOW-MON LTD. UPON WRITTEN REQUEST, AND IS NOT TO BE REPRODUCED IN WHOLE OR IN PART, OR DISCLOSED TO ANYONE ELSE WITHOUT THE EXPRESS WRITTEN CONSENT OF FLOW-MON LTD.

Flow-Mon Limited.  
TEL.(01423) 561972  
FAX.(01423) 502063

Chatsworth House  
Chatsworth Terrace  
Harrogate. North Yorks. HG1 5HT

Email: sales@flow-mon.com  
www.flow-mon.com

DRAWN	DATE	SCALE	ISSUE
P.H.B.	05/01/06	N.T.S.	

DRG.NO.

G.A. 8

SHEET NO. 1 OF 1