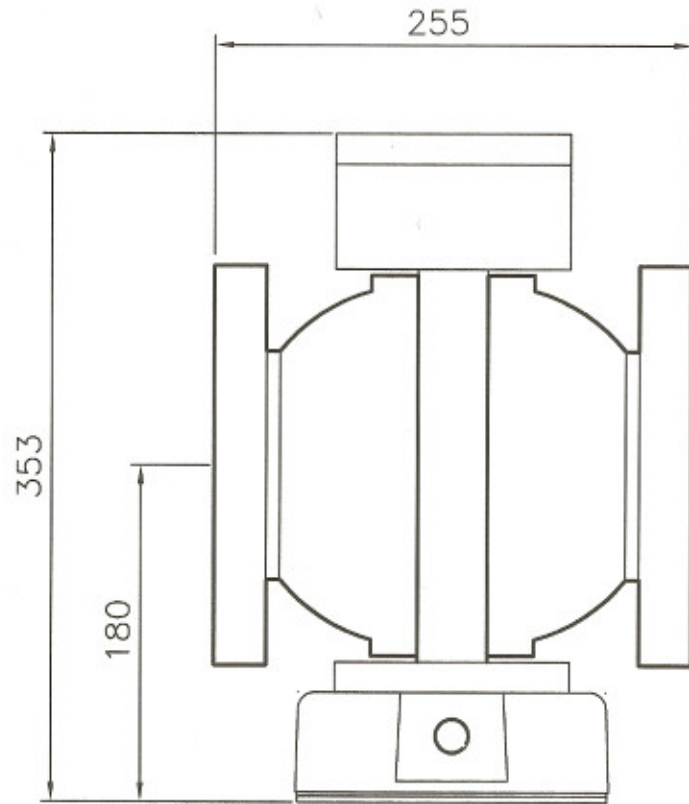


ALL DIMENSIONS IN MM
UNLESS STATED OTHERWISE

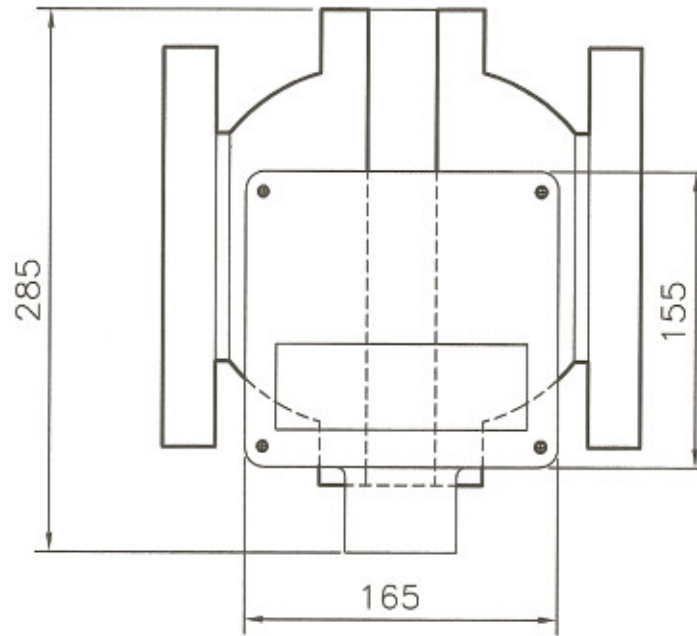
DO NOT SCALE DRAWING
IF IN DOUBT ASK



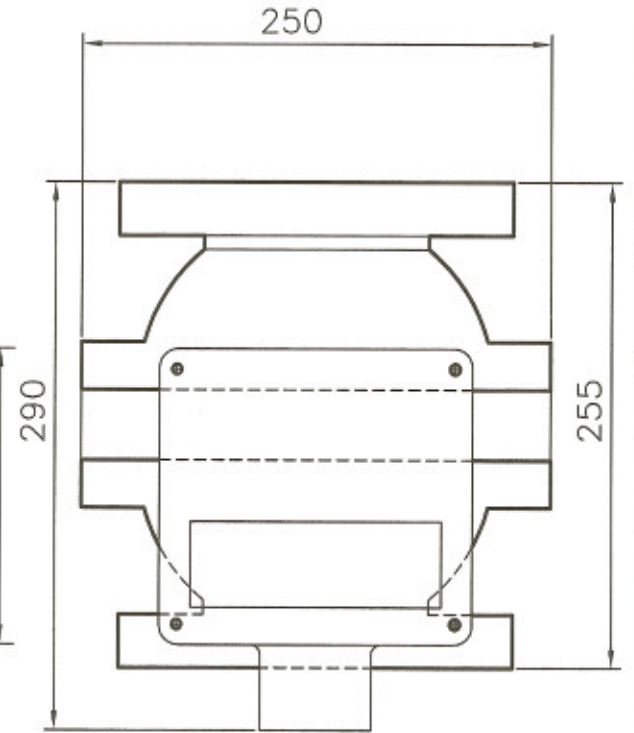
VIEW ON UNDERSIDE

KEY

----- FLANGED BOWL
----- SCREWED BOWL



HORIZONTAL FRONT VIEW



VERTICAL FRONT VIEW

TITLE

3" FLANGE ASSEMBLY
EXPLOSION PROOF ENCLOSURE BOX

THIS DRAWING, THE STRUCTURAL DESIGN
DISCLOSED THEREIN, AND THE TECHNICAL
SERVICE REPRESENTED THEREBY ARE THE
EXCLUSIVE PROPERTY OF FLOW-MON LTD.
IT IS TO BE RETURNED TO FLOW-MON LTD.
UPON WRITTEN REQUEST, AND IS NOT TO
BE REPRODUCED IN WHOLE OR IN PART, OR
DISCLOSED TO ANYONE ELSE WITHOUT THE
EXPRESS WRITTEN CONSENT OF FLOW-MON LTD.

Flow-Mon Limited.
TEL.(01423) 561972
FAX.(01423) 502063

Chatsworth House
Chatsworth Terrace
Harrogate. North Yorks. HG1 5HT

Email: sales@flow-mon.com
www.flow-mon.com

DRAWN	DATE	SCALE	ISSUE
P.H.B.	05/01/06	N.T.S.	

DRG.NO.

G.A. 16

SHEET NO. 1 OF 1