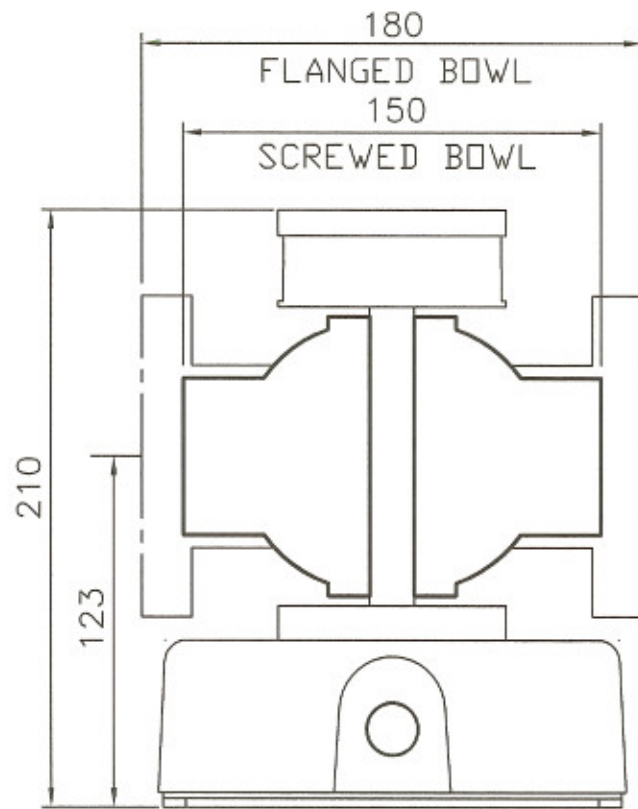


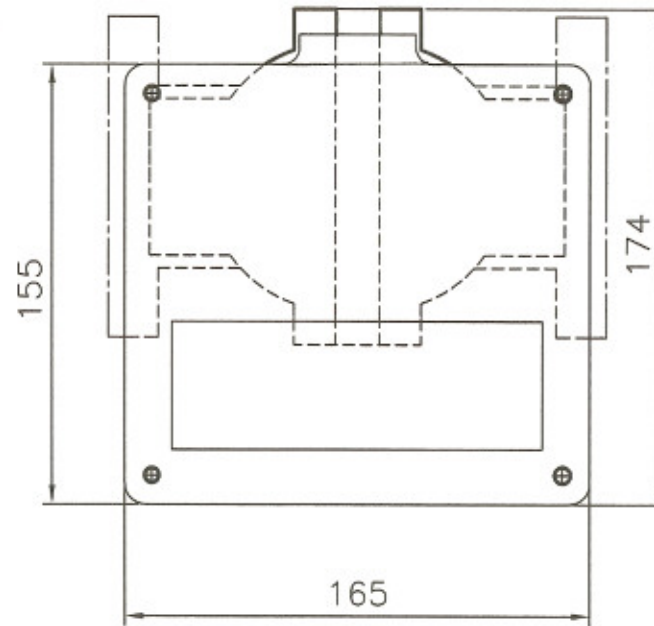
ALL DIMENSIONS IN MM  
UNLESS STATED OTHERWISE

DO NOT SCALE DRAWING  
IF IN DOUBT ASK

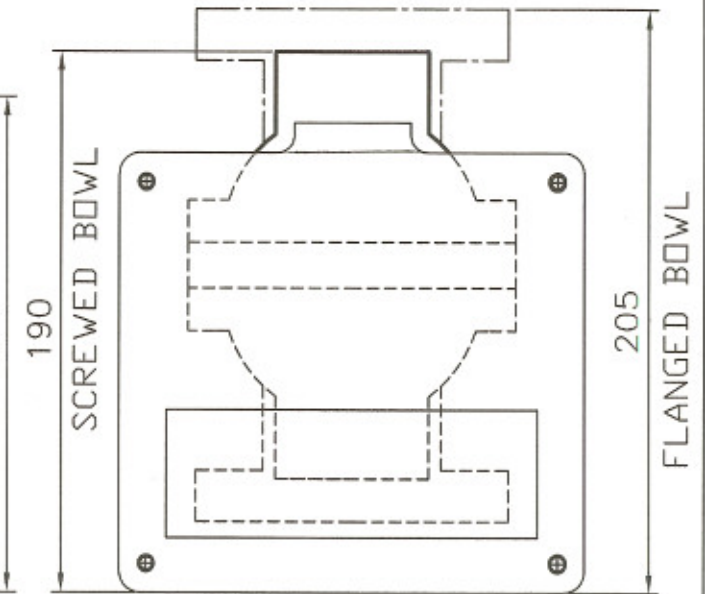


VIEW ON TOP SIDE

KEY



HORIZONTAL FRONT VIEW



VERTICAL FRONT VIEW

TITLE

MEDIUM BOWL 3/4"- 1 1/4" ASSEMBLY  
ALUMINIUM ENCLOSURE BOX

THIS DRAWING, THE STRUCTURAL DESIGN  
DISCLOSED THEREIN, AND THE TECHNICAL  
SERVICE REPRESENTED THEREBY ARE THE  
EXCLUSIVE PROPERTY OF FLOW-MON LTD.  
IT IS TO BE RETURNED TO FLOW-MON LTD.  
UPON WRITTEN REQUEST, AND IS NOT TO  
BE REPRODUCED IN WHOLE OR IN PART, OR  
DISCLOSED TO ANYONE ELSE WITHOUT THE  
EXPRESS WRITTEN CONSENT OF FLOW-MON LTD.

Flow-Mon Limited.  
TEL.(01423) 561972  
FAX.(01423) 502063

Chatsworth House  
Chatsworth Terrace  
Harrogate, North Yorks. HG1 5HT

Email: sales@flow-mon.com  
www.flow-mon.com

DRAWN	DATE	SCALE	ISSUE
P.H.B.	05/01/06	N.T.S.	

DRG.NO. G.A. 5

SHEET NO. 1 OF 1