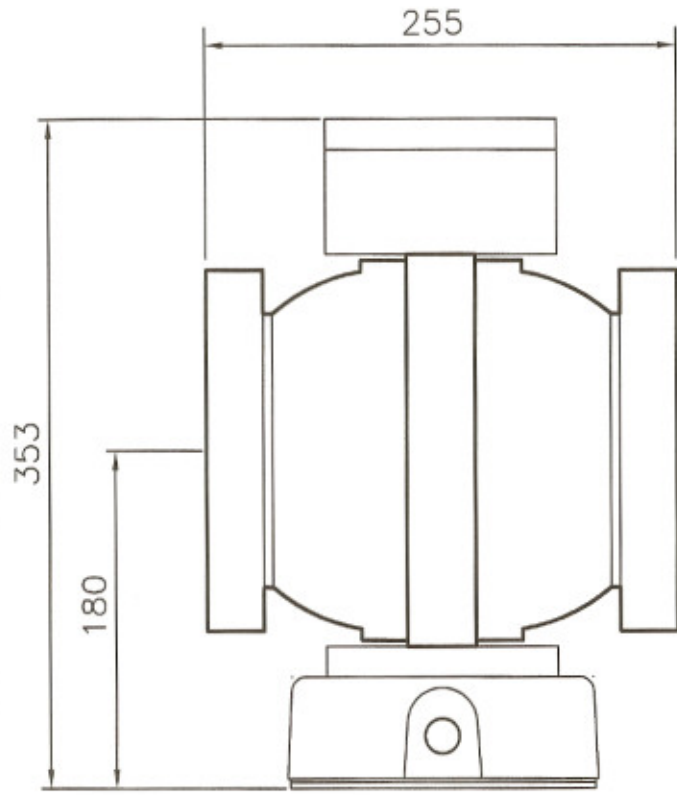


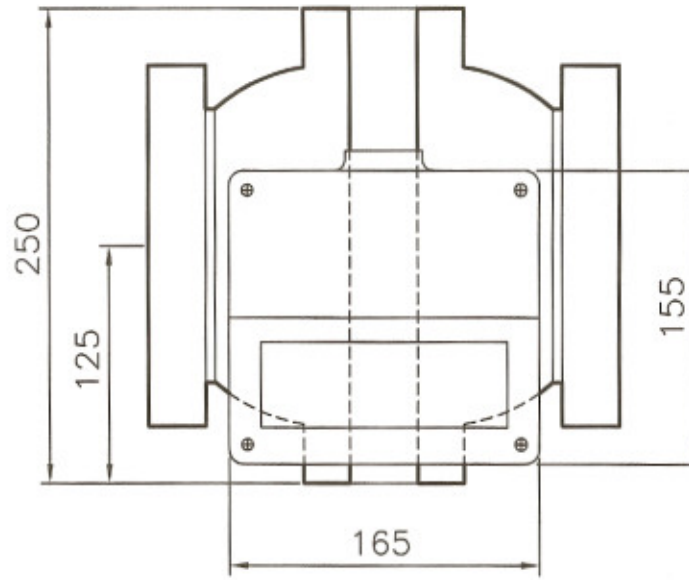
ALL DIMENSIONS IN MM  
UNLESS STATED OTHERWISE

DO NOT SCALE DRAWING  
IF IN DOUBT ASK

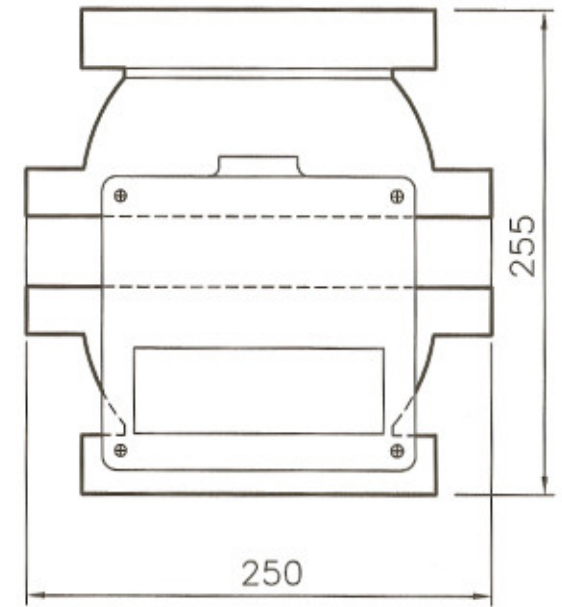
KEY  
 - - - - - FLANGED BOWL  
 \_\_\_\_\_ SCREWED BOWL



VIEW ON TOP SIDE



HORIZONTAL FRONT VIEW



VERTICAL FRONT VIEW

Flow-Mon Limited.  
 TEL.(01423) 561972  
 FAX.(01423) 502063  
 Email: sales@flow-mon.com  
 www.flow-mon.com

Chatsworth House  
 Chatsworth Terrace  
 Harrogate. North Yorks. HG1 5HT

TITLE  
 4" FLANGE ASSEMBLY  
 STANDARD ENCLOSURE BOX

DRAWN	DATE	SCALE	ISSUE
P.H.B.	05/01/06	N.T.S.	

THIS DRAWING, THE STRUCTURAL DESIGN DISCLOSED THEREIN, AND THE TECHNICAL SERVICE REPRESENTED THEREBY ARE THE EXCLUSIVE PROPERTY OF FLOW-MON LTD. IT IS TO BE RETURNED TO FLOW-MON LTD. UPON WRITTEN REQUEST, AND IS NOT TO BE REPRODUCED IN WHOLE OR IN PART, OR DISCLOSED TO ANYONE ELSE WITHOUT THE EXPRESS WRITTEN CONSENT OF FLOW-MON LTD.

DRG.NO.  
 G.A. 13

SHEET NO. 1 OF 1