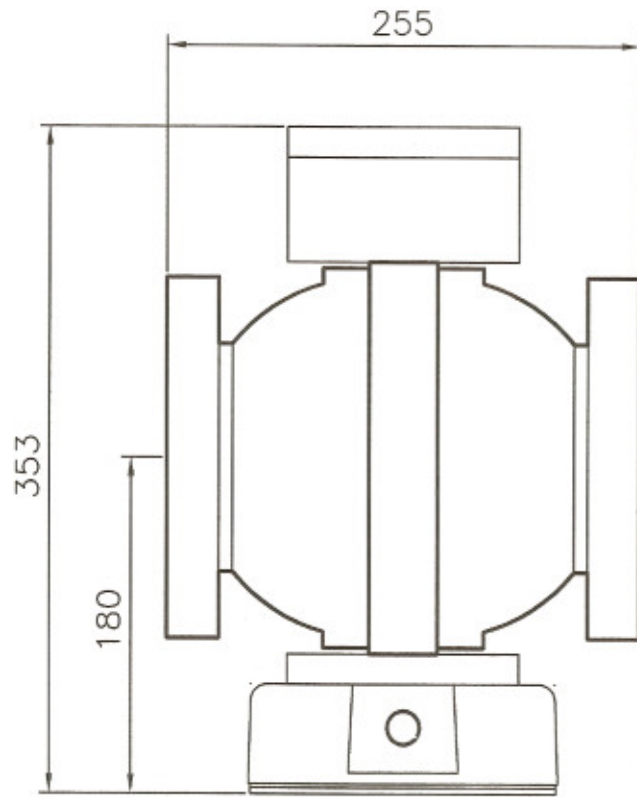


ALL DIMENSIONS IN MM  
UNLESS STATED OTHERWISE

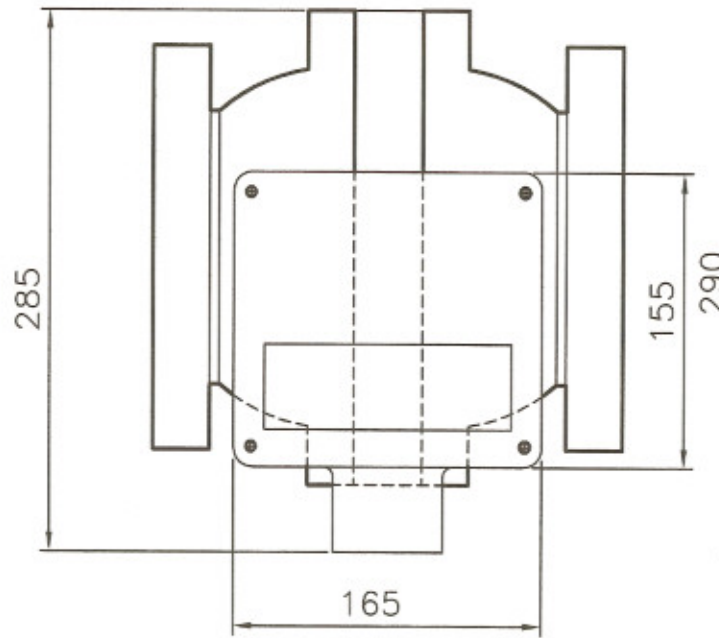
DO NOT SCALE DRAWING  
IF IN DOUBT ASK



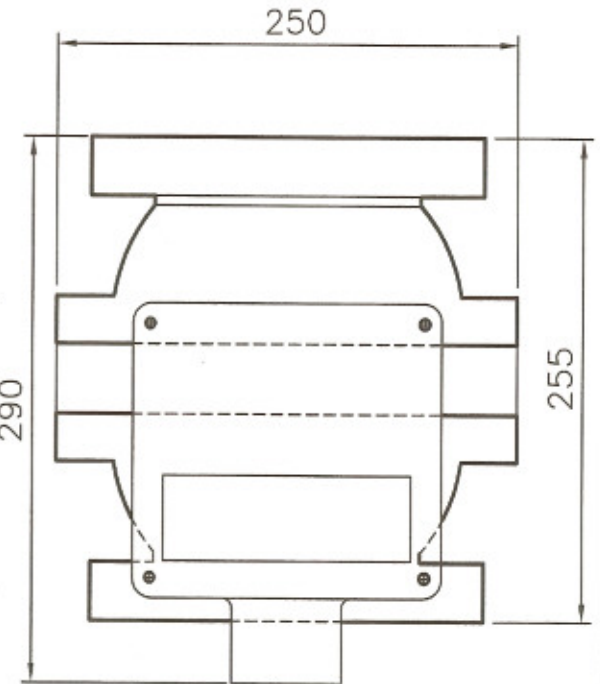
VIEW ON UNDERSIDE

KEY

----- FLANGED BOWL  
————— SCREWED BOWL



HORIZONTAL FRONT VIEW



VERTICAL FRONT VIEW

TITLE

4" FLANGE ASSEMBLY  
EXPLOSION PROOF ENCLOSURE BOX

THIS DRAWING, THE STRUCTURAL DESIGN  
DISCLOSED THEREIN, AND THE TECHNICAL  
SERVICE REPRESENTED THEREBY ARE THE  
EXCLUSIVE PROPERTY OF FLOW-MON LTD.  
IT IS TO BE RETURNED TO FLOW-MON LTD.  
UPON WRITTEN REQUEST, AND IS NOT TO  
BE REPRODUCED IN WHOLE OR IN PART, OR  
DISCLOSED TO ANYONE ELSE WITHOUT THE  
EXPRESS WRITTEN CONSENT OF FLOW-MON LTD.

Flow-Mon Limited.  
TEL.(01423) 561972  
FAX.(01423) 502063

Chatsworth House  
Chatsworth Terrace  
Harrogate. North Yorks. HG1 5HT

Email: sales@flow-mon.com  
www.flow-mon.com

DRAWN	DATE	SCALE	ISSUE
P.H.B.	05/01/06	N.T.S.	

DRG.NO.

G.A. 15

SHEET NO. 1 OF 1